

# MS-94 series - LIGHTWEIGHT Linear Potentiometers

Manufactured in UK



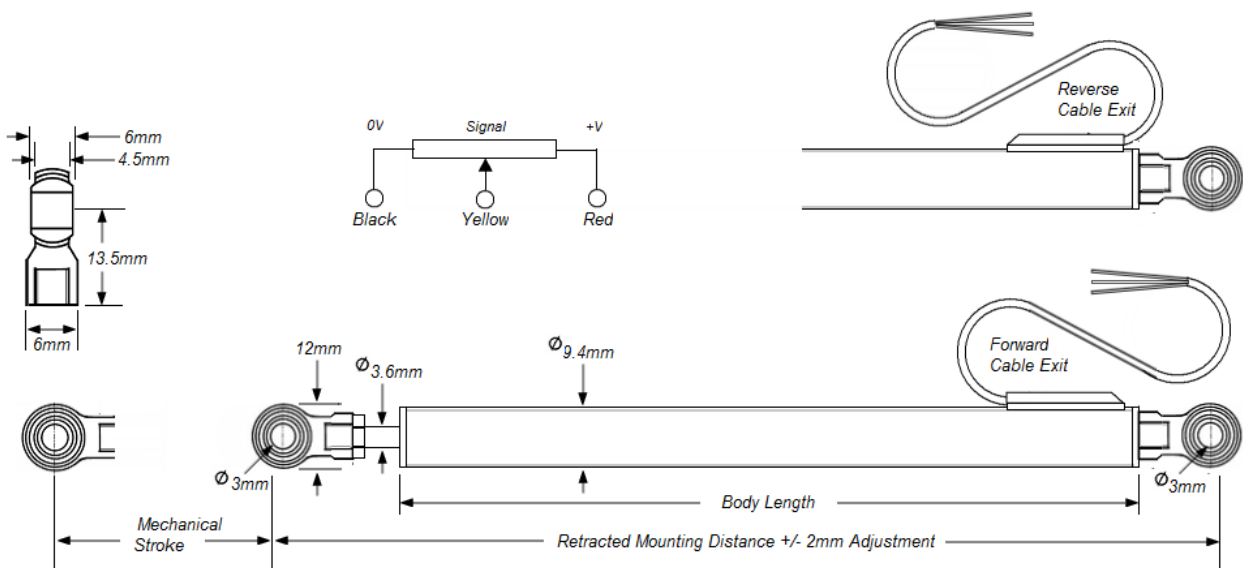
- **Rugged Construction**
- **Excellent Linearity**
- **Sealed To IP67**
- **Long Life**
- **Compact Design**
- **Custom stroke\***



The MS-94 series of Linear Potentiometers are designed to withstand the harsh environment of Industrial and Motorsport applications. Using proven 'conductive plastic' technology, the sensors offer high performance and reliability.

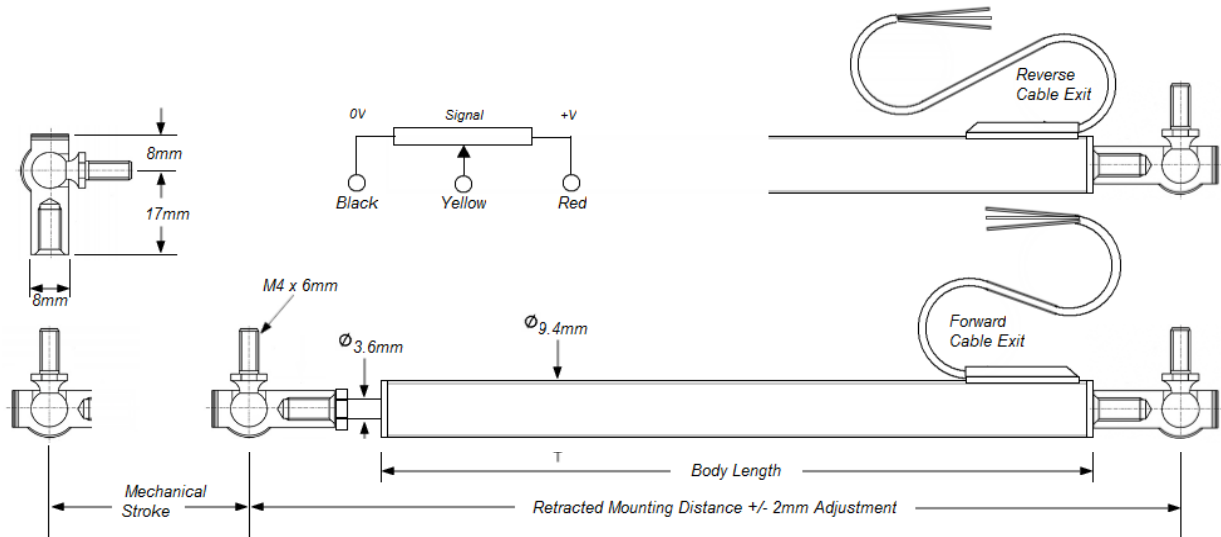
## MS-94M-

Active Electrical Stroke (mm)	12.5	25	50	75	100	125	150	175
Retracted Mounting Distance (mm)*	86	98	123	148	179	204	229	254
Mechanical Stroke (mm)*	14.5	27	52	77	102	127	152	177
Body Length	53	66	91	116	147	172	197	222
Weight Without Cable (g)	15	17	21	25	29	33	37	41
Resistance ( KOHms +/-20% )	0.8	1.7	3.4	5	6.7	8.4	10	11.7



## MS-94P-

<b>Active Electrical Stroke (mm)</b>	<b>12.5</b>	<b>25</b>	<b>50</b>	<b>75</b>	<b>100</b>	<b>125</b>	<b>150</b>	<b>175</b>
<b>Retracted Mounting Distance (mm)*</b>	<b>98</b>	<b>110</b>	<b>135</b>	<b>160</b>	<b>191</b>	<b>216</b>	<b>241</b>	<b>266</b>
<b>Mechanical Stroke (mm)*</b>	<b>14.5</b>	<b>27</b>	<b>52</b>	<b>77</b>	<b>102</b>	<b>127</b>	<b>152</b>	<b>177</b>
<b>Body Length</b>	<b>53</b>	<b>66</b>	<b>91</b>	<b>116</b>	<b>147</b>	<b>172</b>	<b>197</b>	<b>222</b>
<b>Weight Without Cable (g)</b>	<b>19</b>	<b>21</b>	<b>25</b>	<b>29</b>	<b>33</b>	<b>37</b>	<b>41</b>	<b>45</b>
<b>Resistance (KOhms +/-20%)</b>	<b>0.8</b>	<b>1.7</b>	<b>3.4</b>	<b>5</b>	<b>6.7</b>	<b>8.4</b>	<b>10</b>	<b>11.7</b>



## Specifications:

<b>Maximum Supply Voltage</b>	40 VDC
<b>Resolution</b>	Essentially Infinite
<b>Repeatability</b>	≤0.01mm
<b>Operational Speed</b>	10 M/s max
<b>Mechanical Life</b>	> 25 Million Cycles
<b>Recommended Wiper Current</b>	< 10μA
<b>Independent Linearity</b>	≤ +/- 0.5%
<b>Cable Type*</b>	3 Wire Raychem 55A, 26 AWG, FDR 25 Jacket
<b>Cable Length*</b>	500mm
<b>Track Technology</b>	Conductive Plastic
<b>Housing Material</b>	Aluminium
<b>Shaft Material</b>	Stainless Steel
<b>Operating Temperature</b>	-40 to +150°C
<b>Sealing Options</b>	IP54 (Light Duty O Ring) ; IP65 (Dual O Rings) ; IP67 (PTFE U Spring + O Ring)

## Ordering Information:

**MS-94M / MS-94P – Range (mm) – Seal (IP54/65//67) – Cable Exit Direction (R/F)**

e.g : **MS-94P – 150 – 67 – R**

Pop Joints – 150mm range – IP67 Seal – Reverse Cable Exit

\* Custom Options Available On Request

Since the suitability of these products depends upon a wide range of factors not in our control, the manufacturer expects and understands that you will conduct the testing and evaluation necessary to determine that these products are suitable for your application. Whilst every effort is made to ensure the above details are correct at the time of printing, the manufacturer reserves the right to make material changes, and / or technical changes without notification.