

FUTEK MODEL TRS600

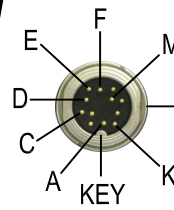
NON CONTACT SHAFT TO SHAFT ROTARY TORQUE SENSOR

Drawing Number: FI1028-F

INCH [mm] | R.O.= Rated Output

CE COMPLIANT

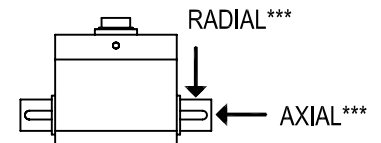
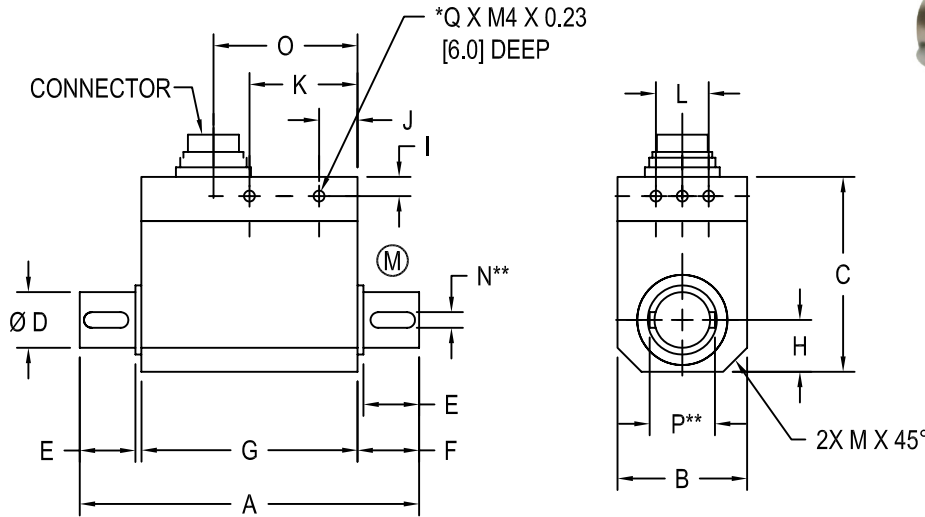
CONNECTOR CODE (CABLE PACKAGE WIRING CODE)			
Power	Ground	Signal	Return (Signal)
PIN 'F' (RED)	PIN 'E' (BLACK)	PIN 'C' (GREEN)	PIN 'D' (WHITE)
Shield	Shunt Cal	Shunt Cal (Gnd)	
PIN 'M' (Floating)	PIN 'K' (PURPLE)	PIN 'A' (YELLOW)	



BINDER RECEPTACLE
09-0331-90-12
(MATING CONNECTOR
99-2030-09-12
NOT INCLUDED)



-OUTPUT
(CCW)
+OUTPUT
(CW)



(M) = MEASURING SIDE

* ANTI-ROTATION HOLES, NOT TO BE USED TO SUPPORT LOAD.

** FEATHER KEYWAYS PER DIN 6885, KEYWAYS COME PRE-INSTALLED.

*** MAXIMUM LOAD ALLOWED, NOT FOR MEASUREMENT.

ITEM #	CAPACITY in-lb N m		A	B	C	Ø D	E	F	G	H	I	J	K	L	M	N**	O	P**	Q*	***MAX AXIAL FORCE lb[N]	***MAX RADIAL FORCE lb[N]	ROTATIONAL SPEED (MAX)	WEIGHT lb[kg]		
FSH01994	9	1																		4.5 [20]	1 [5]	12000 RPM	0.6 [0.28]		
FSH01995	18	2	3.62	1.10	2.04	0.394	0.63	0.67	2.28	0.55	0.19	0.43	-	0.31	0.32	-	1.46	-	6	11 [50]	1 [5]				
FSH01996	44	5	[92]	[28]	[52]	[10] g6	[16]	[17]	[58]	[14]	[5]	[11]	-	[8]	[8]	-	[37]	-	3	34 [150]	2 [10]				
FSH01997	89	10																		45 [200]	4.5 [20]	9000 RPM	1.1 [0.50]		
FSH01998	177	20	4.25	1.49	2.28	0.748	1.18	1.26	1.73	0.75	0.24	0.86	-	-	0.40	0.236	0.87	0.236	3	7 [30]	7 [30]				
FSH01999	443	50	[108]	[38]	[58]	[19] g6	[30]	[32]	[44]	[19]	[6]	[22]	-	[10]	[6]	[22]	[24]	[24]	8	45 [200]	11 [50]				
FSH02730	885	100	4.92	2.28	2.99	1.102	1.06	1.20	2.52	1.14	0.19	0.55	1.97	1.18	-	0.315	1.57	1.34	8	90 [400]	56 [250]		2.3 [1.06]		

SPECIFICATIONS:

RATED OUTPUT	±5VDC
SAFE OVERLOAD	150% of R.O.
ZERO BALANCE	±1% of R.O.
EXCITATION	11-26 VDC, 1 Watt
NONLINEARITY	±0.2% of R.O.
HYSTERESIS	±0.1% of R.O.
NONREPEATABILITY	±0.2% R.O.
TEMP. SHIFT ZERO	±0.01% of R.O. / °F [±0.02% of R.O. / °C]
TEMP. SHIFT SPAN	±0.01% of Load / °F [±0.02% of Load / °C]
OPERATING TEMP.	-13 to 176°F [-25 to +80°C]
COMPENSATED TEMP.	41 to 122°F [+5 to +50°C]

CONNECTOR: 12 pin Binder Series #581 (09-0331-90-12)
 ACCESSORIES AND RELATED INSTRUMENTS AVAILABLE
 CALIBRATION (STD) Certificate of Conformance
 CALIBRATION (AVAILABLE) 5pt CW and CCW
 CALIBRATION TEST EXCITATION 12 VDC
 SHUNT CALIBRATION With sensor fully connected apply 11-26 VDC to Pins A & K to generate 5VDC nom output.

FUTEK
ADVANCED SENSOR TECHNOLOGY, INC.

This drawing is submitted solely for the information and exclusive use of the original addressee. It is not to be divulged in whole or in part, by any firm or individual without written permission from FUTEK

Sensocon
Sensorik und Messtechnik

Sensocon GmbH
Hindenburgstr. 24
67433 Neustadt
Germany

Fon: +49-(0) 6321-9684013
Fax: +49-(0) 6321-9684014
http://www.sensocon.de