

# FUTEK MODEL TRH300

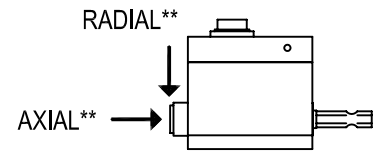
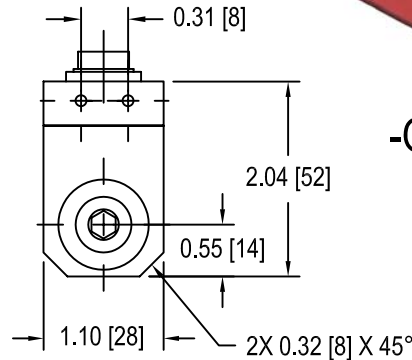
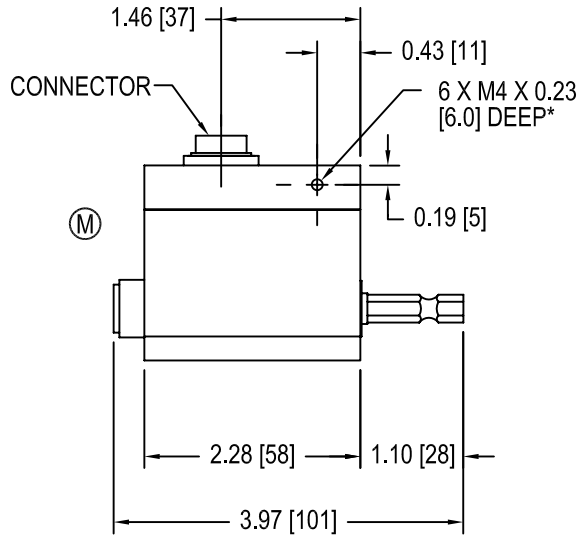
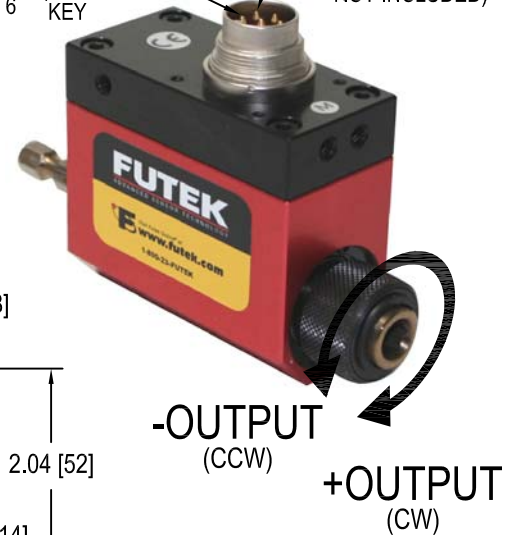
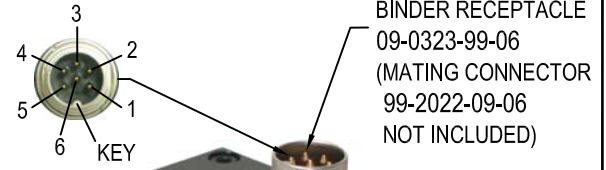
# HEX DRIVE ROTARY TORQUE SENSOR

**CE COMPLIANT**

Drawing Number: FI1024-C

INCH [mm] | R.O.= Rated Output

CONNECTOR CODE (CABLE PACKAGE WIRING CODE)			
-Excitation	+Excitation	Shield	+Signal
PIN '1' (BLACK)	PIN '2' (RED)	PIN '3' (FLOATING)	PIN '4' (GREEN)
-Signal	Shunt Cal		
PIN '5' (WHITE)	PIN '6' (ORANGE)		



(M)=MEASURING SIDE

TORQUE SENSOR WITH STANDARD 1/4" HEX PER DIN 3126 E & F.

\* ANTI-ROTATION HOLES, NOT TO BE USED TO SUPPORT LOAD.

\*\* MAXIMUM LOAD ALLOWED, NOT FOR MEASUREMENT.

## SPECIFICATIONS:

RATED OUTPUT	1 mV/V nom (2 Nm); 2 mV/V nom (6-20 Nm)
SAFE OVERLOAD	150% of R.O.
ZERO BALANCE	±1% of R.O.
EXCITATION (VDC OR VAC)	5 to 11
BRIDGE RESISTANCE	350 Ω nom.
NONLINEARITY	±0.2% of R.O.
HYSTERESIS	±0.1% of R.O.
NONREPEATABILITY	±0.2% R.O.
TEMP. SHIFT ZERO	±0.01% of R.O. / °F [±0.02% of R.O. / °C]
TEMP. SHIFT SPAN	±0.01% of Load / °F [±0.02% of Load / °C]
OPERATING TEMP.	14 to 194°F [-10 to +90°C]
COMPENSATED TEMP.	41 to 122°F [+5 to +50°C]
ROTATIONAL SPEED	3000 RPM MAX
CONNECTOR:	6 pin Binder Series #581 (09-0323-99-06)
ACCESSORIES AND RELATED INSTRUMENTS AVAILABLE	
CALIBRATION (STD)	Certificate of Conformance
CALIBRATION (AVAILABLE)	5pt CW and CCW
SHUNT CAL VALUE (INTERNAL)	87K ohm (2 Nm), 43K ohm (6-20 Nm)
SHUNT CALIBRATION	With sensor fully connected jump Pins 1 & 6 to generate 2 mV/V nom output.
CALIBRATION TEST EXCITATION	10VDC

ITEM #	Capacity in-lb N-m	**MAX.AXIAL FORCE lb[N]	**MAX.RADIAL FORCE lb[N]	WEIGHT lb[kg]
FSH01979	18 2	4.5 [20]	4.5 [20]	0.7 [0.30]
FSH01980	53 6	11.3 [50]	9 [40]	
FSH01981	106 12	11.3 [50]	9 [40]	
FSH01982	177 20	33.7 [150]	9 [40]	

**FUTEK**  
ADVANCED SENSOR TECHNOLOGY, INC.

This drawing is submitted solely for the information and exclusive use of the original addressee. It is not to be divulged in whole or in part, by any firm or individual without written permission from FUTEK

**Sensocon**  
Sensorik und Messtechnik

Sensocon GmbH  
Hindenburgstr. 24  
67433 Neustadt  
Germany

Fon: +49-(0) 6321-9684013  
Fax: +49-(0) 6321-9684014  
http://www.sensocon.de