

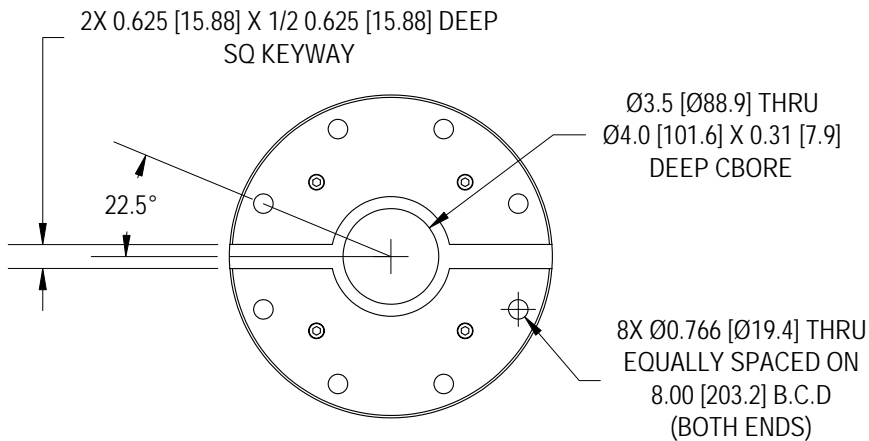
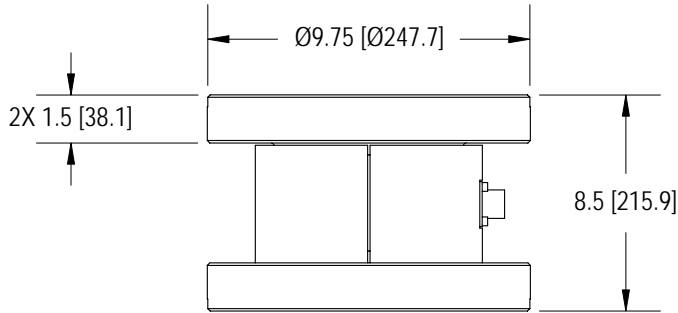
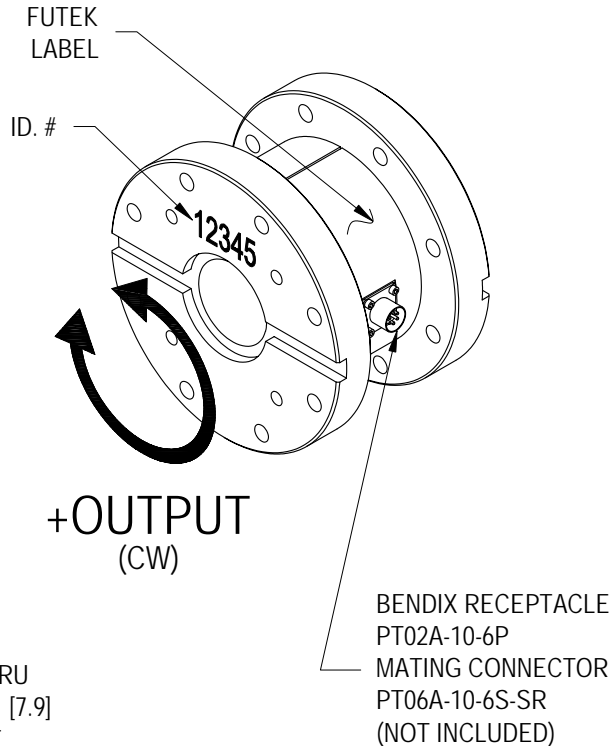
FUTEK MODEL TFF750
STk# FSH00687

FLANGE TO FLANGE REACTION TORQUE SENSOR (Previously T5400)

Drawing Number: FI1145

INCH [mm] | R.O. = Rated Output

WIRING CODE (CC1)			
+Excitation	-Excitation	+Signal	-Signal
RED PIN 'A'	BLACK PIN 'B'	GREEN PIN 'C'	WHITE PIN 'D'
+Sense	-Sense		
ORANGE PIN 'E'	BLUE PIN 'F'		



SPECIFICATIONS:

RATED OUTPUT	2 mV/V nom.
CAPACITY	240k in-lb [27210 Nm]
SAFE OVERLOAD	150% of R.O.
ZERO BALANCE	±1% of R.O.
EXCITATION (VDC OR VAC)	18 MAX
BRIDGE RESISTANCE	350 Ω nom.
NONLINEARITY	±0.2% of R.O.
HYSTERESIS	±0.2% of R.O.
NONREPEATABILITY	±0.2% of R.O.
TEMP. SHIFT ZERO	±0.002% of R.O./°F [0.0036% of R.O./°C]
TEMP. SHIFT SPAN	±0.002% of LOAD/°F [0.0036% of LOAD/°C]
COMPENSATED TEMP.	60 to 160°F [15 to 72°F]
OPERATING TEMP.	-60 to 200°F [-50 to 93°C]
MATERIAL (FLEXURE)	17-4PH S.S.
MATERIAL (COVER)	ALUMINUM
WEIGHT	69 lb [31 kg]
TORSIONAL STIFFNESS	6.38 X 10 ⁸ ft-lb/rad
CONNECTOR:	6 Pin BENDIX Receptacle (PT02A-10-6P)
ACCESSORIES AND RELATED INSTRUMENTS AVAILABLE	
CALIBRATION (STD)	5 pt. CW; 60.4K Ω SHUNT CAL. VALUE
CALIBRATION (AVAILABLE)	CCW
CALIBRATION TEST EXCITATION	10 VDC

*FOR LOWER CAPACITIES REFER TO
TFF400, TSS400, TDD400, TDF400

FUTEK
ADVANCED SENSOR TECHNOLOGY, INC.

This drawing is submitted solely for the information and exclusive use of the original addressee. It is not to be divulged in whole or in part, by any firm or individual without written permission from FUTEK

Sensocon
Sensorik und Messtechnik

Sensocon GmbH
Hindenburgstr. 24
67433 Neustadt
Germany

Fon: +49-(0) 6321-9684013
Fax: +49-(0) 6321-9684014
<http://www.sensocon.de>