

FUTEK MODEL TFF600

FLANGE TO FLANGE REACTION TORQUE SENSOR (Previously T5400)

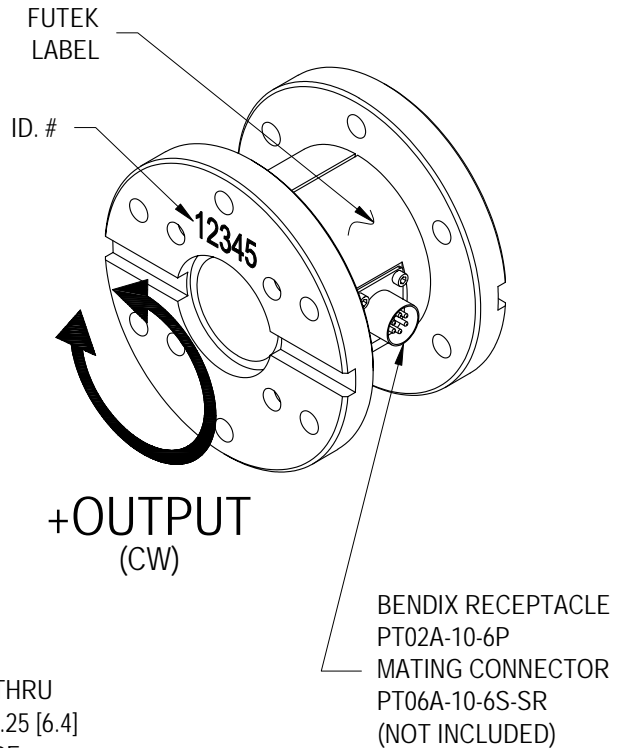
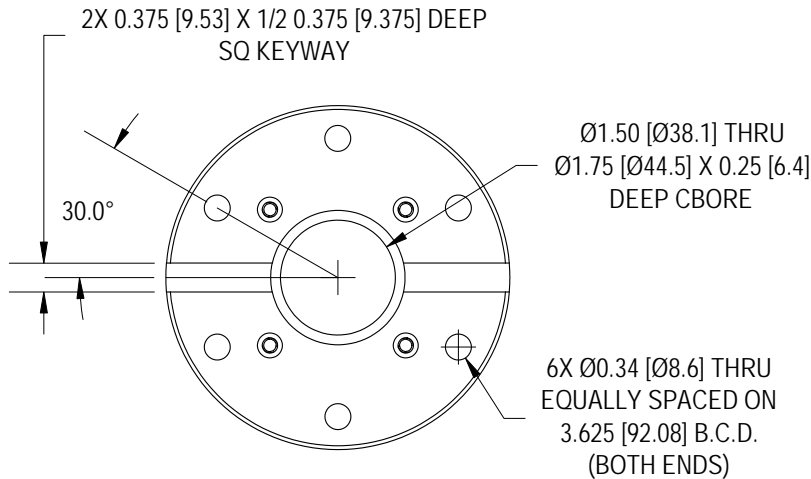
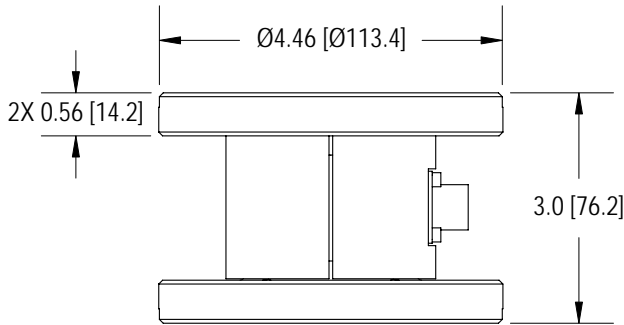
Drawing Number: FI1143

INCH [mm] | R.O.= Rated Output

WIRING CODE (CC1)

+Excitation	-Excitation	+Signal	-Signal
RED PIN 'A'	BLACK PIN 'B'	GREEN PIN 'C'	WHITE PIN 'D'

+Sense	-Sense
ORANGE PIN 'E'	BLUE PIN 'F'



SPECIFICATIONS:

RATED OUTPUT	2 mV/V nom.
SAFE OVERLOAD	150% of R.O.
ZERO BALANCE	±1% of R.O.
EXCITATION (VDC OR VAC)	18 MAX
BRIDGE RESISTANCE	350 Ω nom.
NONLINEARITY	±0.2% of R.O.
HYSTERESIS	±0.2% of R.O.
NONREPEATABILITY	±0.2% of R.O.
TEMP. SHIFT ZERO	±0.002% of R.O./°F [0.0036% of R.O./°C]
TEMP. SHIFT SPAN	±0.002% of LOAD/°F [0.0036% of LOAD/°C]
COMPENSATED TEMP.	60 to 160°F [15 to 72°C]
OPERATING TEMP.	-60 to 200°F [-50 to 93°C]
MATERIAL (FLEXURE)	ALUMINUM (1000 to 2000 in-lb) 17-4PH S.S. (5000 to 10000 in-lb)
MATERIAL (COVER)	ALUMINUM
CONNECTOR: 6 Pin BENDIX Receptacle (PT02A-10-6P)	
ACCESSORIES AND RELATED INSTRUMENTS AVAILABLE	
CALIBRATION (STD)	5 pt. CW; 60.4KΩ SHUNT CAL. VALUE
CALIBRATION (AVAILABLE)	CCW
CALIBRATION TEST EXCITATION	10 VDC

STK#	CAPACITY		WEIGHT	TORSIONAL STIFFNESS
	in-lb	Nm		ft-lb/rad
FSH00680	1000	113	2 lb [0.9 Kg]	26000
FSH00681	2000	225		53000
FSH00682	5000	565	5 lb [2.3 Kg]	1.43 X 10 ⁵
FSH00683	10000	1130		2.99 X 10 ⁵

*FOR LOWER CAPACITIES REFER TO TFF400, TSS400, TDD400, TDF400