

FUTEK MODEL TDF675

REACTION TORQUE TRANSDUCER WITH SQUARE DRIVE (Previously T5410)

Drawing Number: FI1148-B

INCH [mm] | R.O.= Rated Output

WIRING CODE (CC1/CC1T)

+Excitation	-Excitation	+Signal	-Signal
RED PIN 'A'	BLACK PIN 'B'	GREEN PIN 'C'	WHITE PIN 'D'

+Sense/ TEDS Data* -Sense/ TEDS Gnd*

ORANGE PIN 'E'	BLUE PIN 'F'
-------------------	-----------------

*TEDS VERSIONS ONLY

-OUTPUT (CCW) **+OUTPUT (CW)**



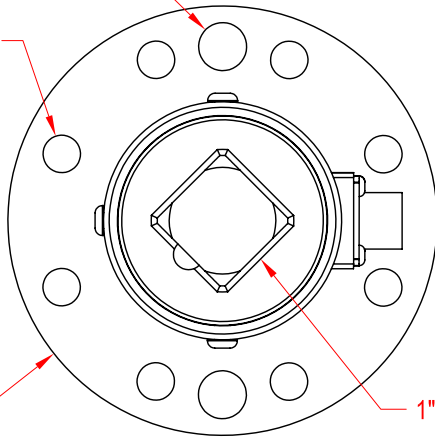
FUTEK LABEL

S/N:

Chart Item#	TEDS
FSH00659	
FSH02641	X

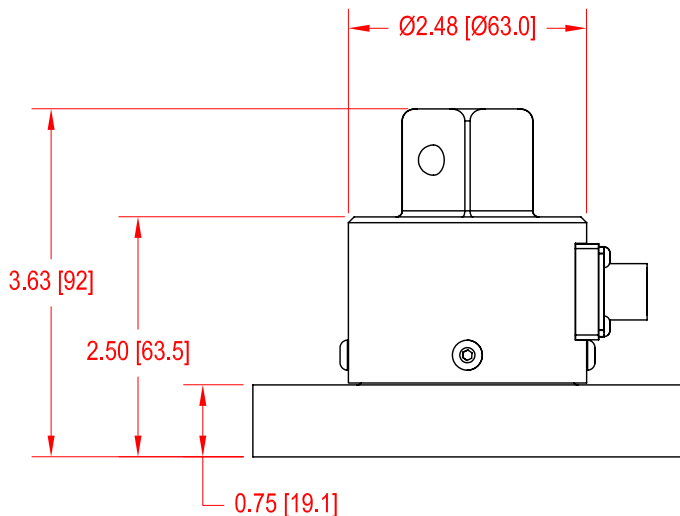
2X Ø.50 [Ø12.70] THRU
ON 3.625 [92.1] B.C.D.

8X Ø.39 [Ø9.9] THRU
EQUALLY SPACED ON
3.625 [92.1] B.C.D.



Ø4.47 [Ø113.54]

1" SQ. DRIVE



For Lower Capacities Refer to Models TDF400

SPECIFICATIONS:

RATED OUTPUT	2 mV/V nom.
CAPACITY	24000 in-lb [2712 Nm]
SAFE OVERLOAD	150% of R.O.
ZERO BALANCE	±1% of R.O.
EXCITATION (VDC OR VAC)	20 MAX
BRIDGE RESISTANCE	700 Ω nom.
NONLINEARITY	±0.1% of R.O.
HYSTERESIS	±0.1% of R.O.
NONREPEATABILITY	±0.2% of R.O.
TEMP. SHIFT ZERO	±0.002% of R.O./°F [0.0036% of R.O./°C]
TEMP. SHIFT SPAN	±0.002% of LOAD/°F [0.0036% of LOAD/°C]
COMPENSATED TEMP.	60 to 160°F [15 to 72°C]
OPERATING TEMP.	-60 to 200°F [-50 to 93°C]
WEIGHT	80 oz [2.3 Kg]
MATERIAL (FLEXURE)	17-4PH S.S.
MATERIAL (COVER)	ALUMINUM
TORSIONAL STIFFNESS	3.60 X 10 ⁶ in-lb/rad
CONNECTOR: 6 Pin BENDIX Receptacle (PT02H-10-6P)	
ACCESSORIES AND RELATED INSTRUMENTS AVAILABLE	
CALIBRATION (STD)	5pt. CW , 100K Ω SHUNT CAL. VALUE
CALIBRATION (AVAILABLE)	CCW
CALIBRATION TEST EXCITATION	10 VDC