

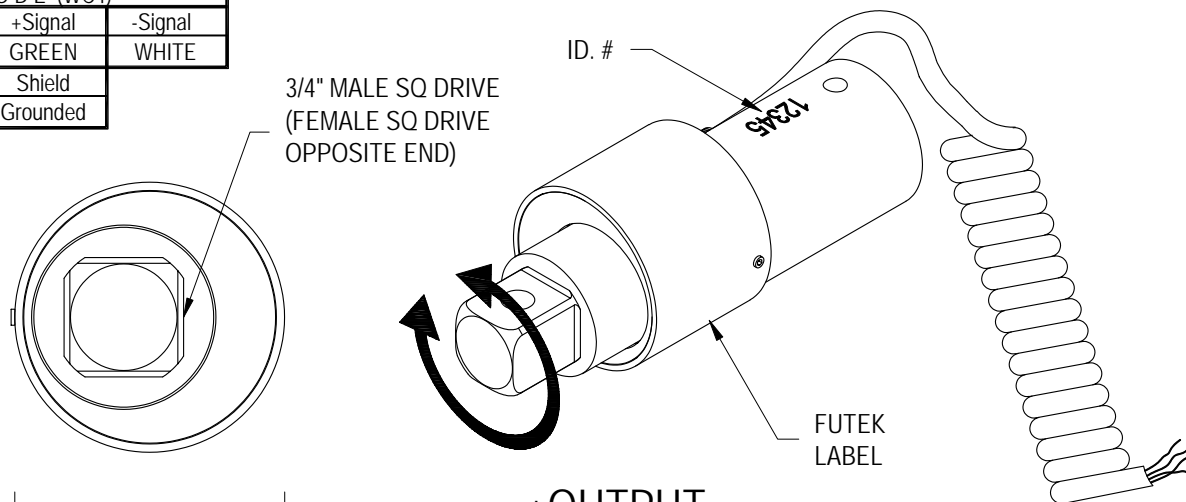
FUTEK MODEL TAT430
 STK# FSH00720

SOCKET EXTENSION REACTION TORQUE SENSOR (Previously T6010)

Drawing Number: FI1154

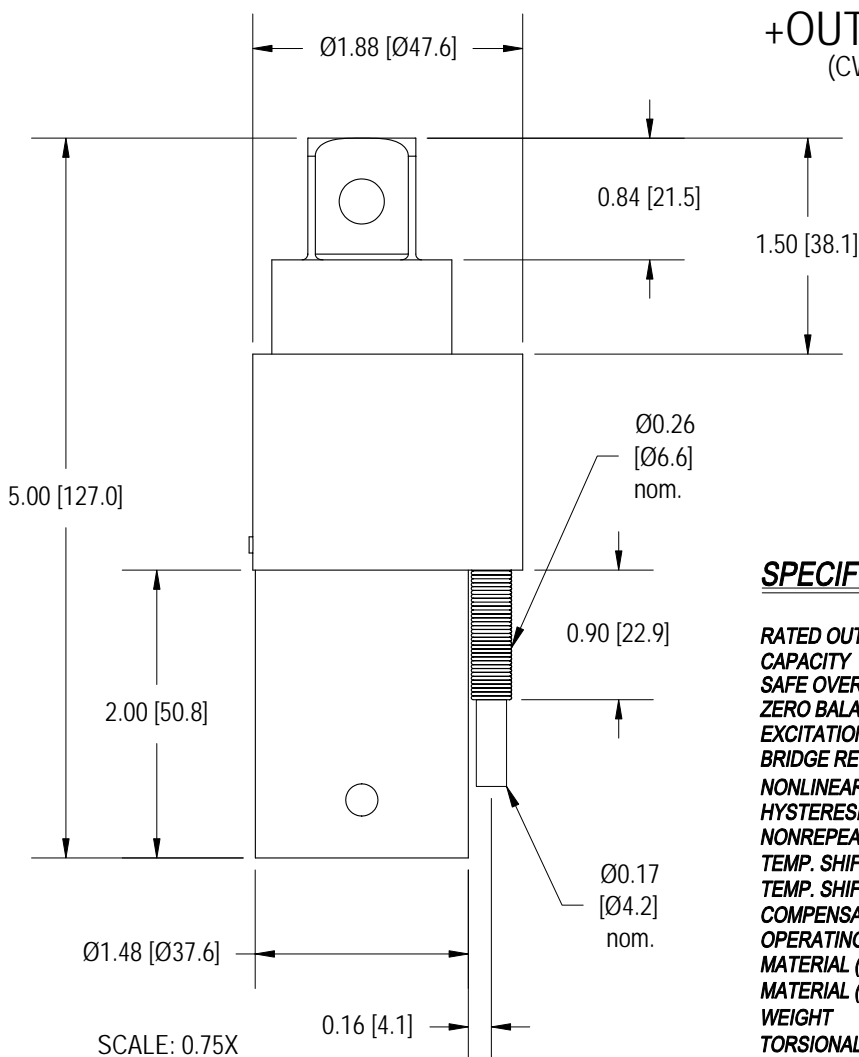
INCH [mm] | R.O.= Rated Output

WIRING CODE (WC4)			
+Excitation	-Excitation	+Signal	-Signal
RED	BLACK	GREEN	WHITE
+Sense	-Sense	Shield	
ORANGE	BLUE	Grounded	



3/4" MALE SQ DRIVE
 (FEMALE SQ DRIVE
 OPPOSITE END)

+OUTPUT
 (CW)



SCALE: 0.75X

SPECIFICATIONS:

RATED OUTPUT	2 mV/V nom.
CAPACITY	6000 in-lb [680 Nm]
SAFE OVERLOAD	150% of R.O.
ZERO BALANCE	±2% of R.O.
EXCITATION (VDC OR VAC)	18 MAX
BRIDGE RESISTANCE	1000 Ω nom.
NONLINEARITY	±0.2% of R.O.
HYSTERESIS	±0.2% of R.O.
NONREPEATABILITY	±0.1% of R.O.
TEMP. SHIFT ZERO	±0.01% of R.O./°F [0.018% of R.O./°C]
TEMP. SHIFT SPAN	±0.01% of LOAD/°F [0.018% of LOAD/°C]
COMPENSATED TEMP.	60 to 160°F [15 to 72°C]
OPERATING TEMP.	-40 to 180°F [-40 to 82°C]
MATERIAL (FLEXURE)	17-4PH S.S.
MATERIAL (COVER)	BLACK ANODIZED ALUMINUM
WEIGHT	32 oz [907 g]
TORSIONAL STIFFNESS	1.72 X 10 ⁶
CABLE: #28 AWG, 6 Conductor, Retractable PVC Cable 10 ft [3 m] Long Extended	
ACCESSORIES AND RELATED INSTRUMENTS AVAILABLE	
CALIBRATION (STD)	5 pt. CW; 150KΩ SHUNT CAL. VALUE
CALIBRATION TEST EXCITATION	10 VDC