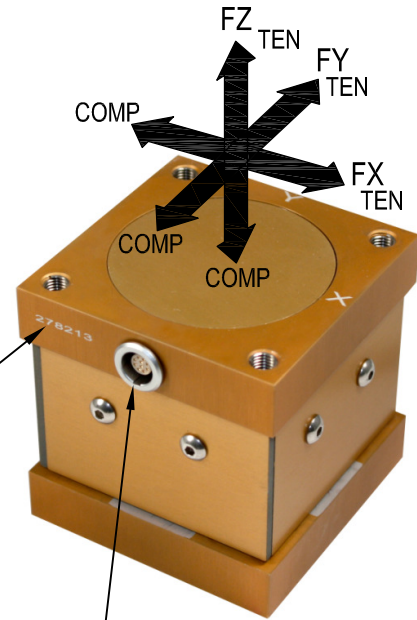
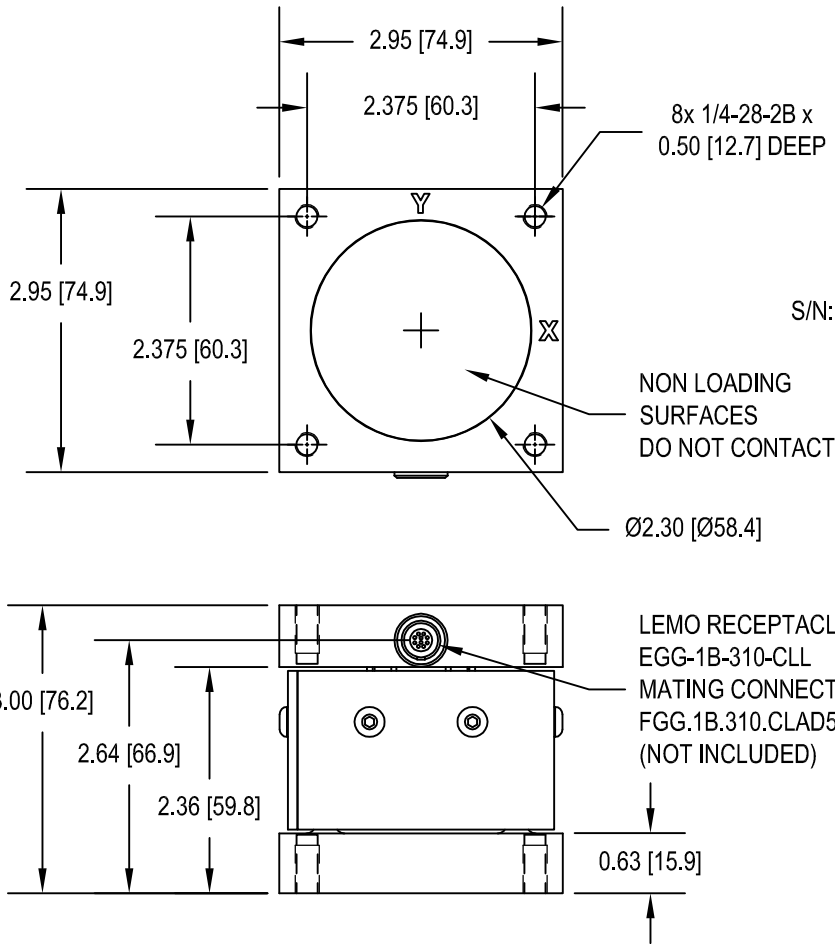


FUTEK MODEL MTA400

TRI AXIAL SENSOR

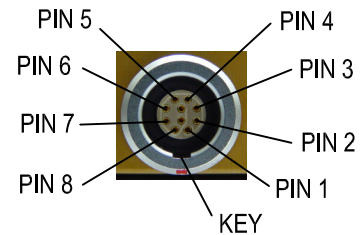
Drawing Number: FI1009-A

INCH [mm] | R.O.= Rated Output



PIN #	CODE	CHANNEL
1	+E	FX, FY, FZ
2	-E	FX, FY, FZ
3	+S	FX
4	-S	FX
5	+S	FY
6	-S	FY
7	+S	FZ
8	-S	FZ

TEN=TENSION (+OUTPUT)
COMP=COMPRESSION (-OUTPUT)



SPECIFICATIONS:

RATED OUTPUT (FX, FY)	1.5 mV/V nom.
RATED OUTPUT (FZ)	0.75 mV/V nom.
CAPACITY (FX, FY)	250 lb
CAPACITY (FZ)	500 lb
SAFE OVERLOAD	150% of R.O.
ZERO BALANCE	±3% of R.O.
EXCITATION (VDC OR VAC)	18 MAX
INPUT BRIDGE RESISTANCE	253 Ω nom on each channel
OUTPUT BRIDGE RESISTANCE	700 Ω nom
NONLINEARITY	±0.25% of R.O.
HYSTERESIS	±0.25% of R.O.
NONREPEATABILITY	±0.1% of R.O.
TEMP. SHIFT ZERO	±0.01% of R.O./°F (0.018% of R.O./°C)
TEMP. SHIFT SPAN	±0.01% of LOAD/°F (0.018% of LOAD/°C)
COMPENSATED TEMP.	60 to 160°F (15 to 72°C)
OPERATING TEMP.	-60 to 200°F (-50 to 93°C)
WEIGHT	2 lb (907 g)
MATERIAL	Gold Anodized Aluminum
CONNECTOR: 10 PIN LEMO RECEPTACLE EGG.1B.310.CLL	
ACCESSORIES AND RELATED INSTRUMENTS AVAILABLE	
CALIBRATION (STD)	5 pt. COMPRESSION; For Fz, 301 KΩ SHUNT CAL. VALUE For Fx & Fy, 150 KΩ SHUNT CAL. VALUE
CALIBRATION (OPTIONAL)	5 pt. TENSION
CALIBRATION TEST EXCITATION	10 VDC

CABLE ACCESSORIES

ITEM# FSH01848 10 PIN LEMO MATING
W/ 10 FT POLY CABLE



COLOR	PIN #	CODE	CH
RED	1	+EXCITATION	Fx, Fy, Fz
BLACK	2	-EXCITATION	Fx, Fy, Fz
GREEN	3	+SIGNAL	Fx
WHITE	4	-SIGNAL	
BLUE	5	+SIGNAL	Fy
YELLOW	6	-SIGNAL	
VIOLET	7	+SIGNAL	Fz
ORANGE	8	-SIGNAL	