

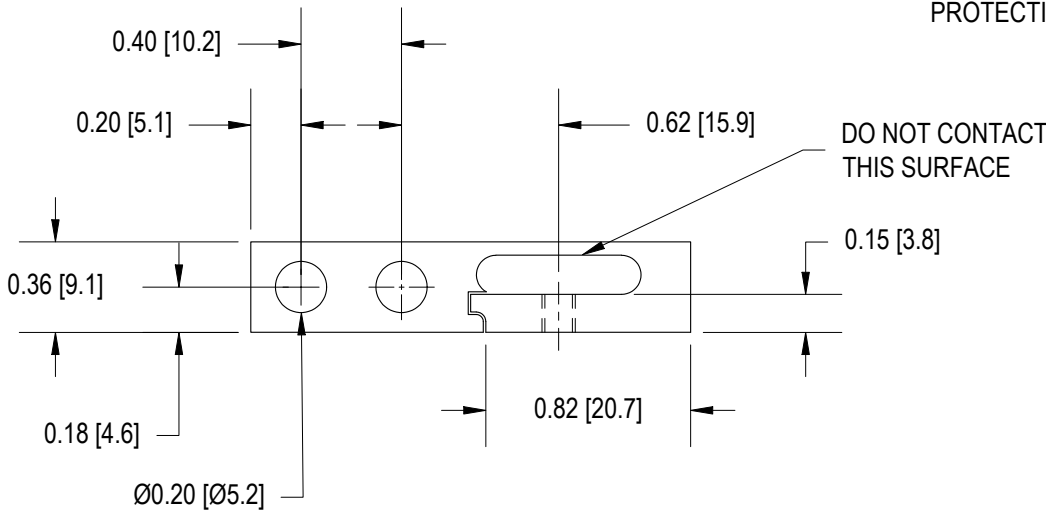
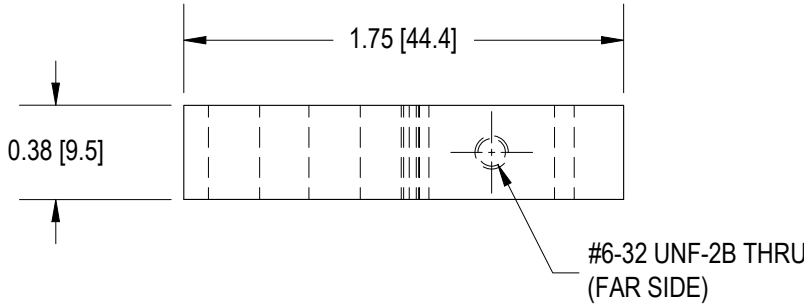
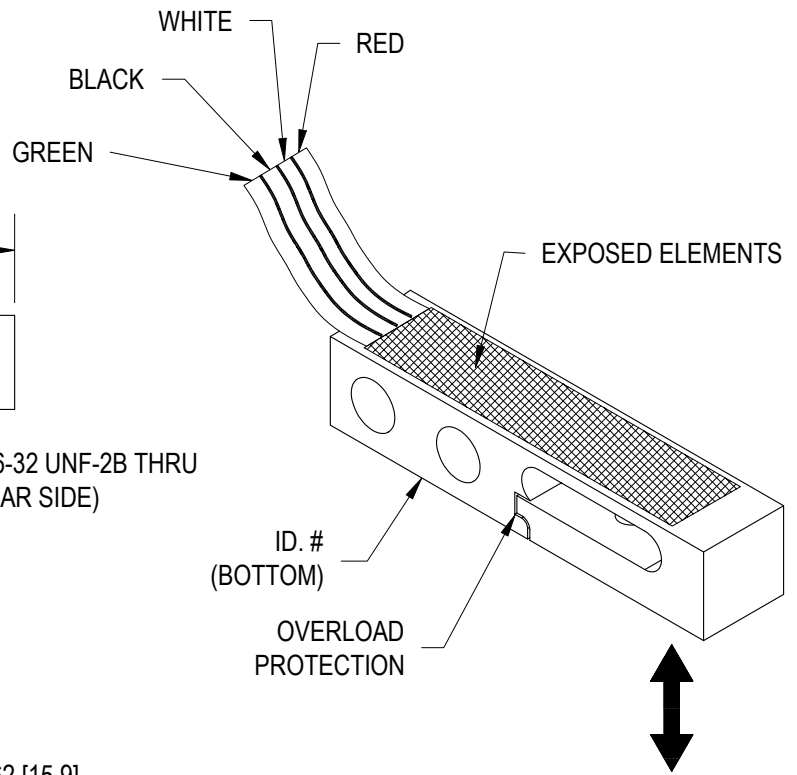
**FUTEK MODEL LSM200 (L2341) FOLD BACK BENDING BEAM W/ OVERLOAD PROTECTION IN BOTH DIRECTIONS (OEM TYPE)**  
 STK# FSH00064

**Drawing Number: FI1071**

**INCH [mm] | R.O.= Rated Output**

WIRING CODE (WC1)

+Excitation	-Excitation	+Signal	-Signal
RED	BLACK	GREEN	WHITE



**SPECIFICATIONS:**

<b>RATED OUTPUT</b>	2.3 mV/V nom.
<b>CAPACITY</b> $\frac{lb}{N}$	$\frac{10}{44.5}$
<b>SAFE OVERLOAD</b>	1000% of R.O.
<b>ZERO BALANCE</b>	±1% of R.O.
<b>EXCITATION (VDC OR VAC)</b>	18 MAX
<b>BRIDGE RESISTANCE</b>	1000 Ω nom.
<b>NONLINEARITY</b>	±0.2% of R.O.
<b>HYSTERESIS</b>	±0.2% of R.O.
<b>NONREPEATABILITY</b>	±0.1% of R.O.
<b>TEMP. SHIFT ZERO</b>	±0.03% of R.O./°F [0.05% of R.O./°C]
<b>TEMP. SHIFT SPAN</b>	±0.03% of LOAD/°F [0.05% of LOAD/°C]
<b>COMPENSATED TEMP.</b>	60 to 160°F [15 to 72°C]
<b>OPERATING TEMP.</b>	-60 to 200 °F [-50 to 93 °C]
<b>WEIGHT</b>	3 oz [ 85 g]
<b>MATERIAL</b>	ALUMINUM
<b>DEFLECTION</b>	0.01 [0.25] nom.
<b>CABLE:</b>	Molex Flex Cable Type A, 1 mm Pitch, 4 Conductor, 2 [50.8] Long
<b>ACCESSORIES AND RELATED INSTRUMENTS AVAILABLE</b>	
<b>CALIBRATION (AVAILABLE)</b>	5 pt TENSION; 150K Ω SHUNT CAL. VALUE
<b>CALIBRATION TEST EXCITATION</b>	10 VDC