

FUTEK MODEL FFP350
ITEM# FSH01527

FLAT PLATE LOAD CELL

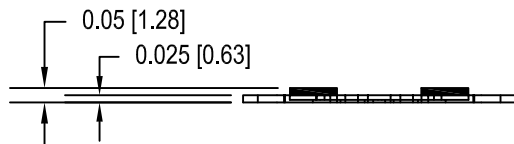
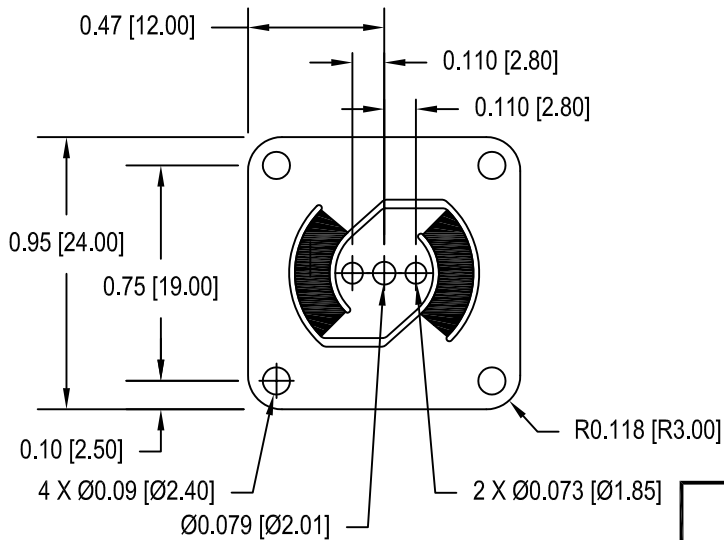
(Previously FR1075P-Q11046)

Drawing Number: FI1117-B

INCH [mm] R.O.= Rated Output

WIRING CODE (WC1)

+Excitation	-Excitation	+Signal	-Signal
RED	BLACK	GREEN	WHITE

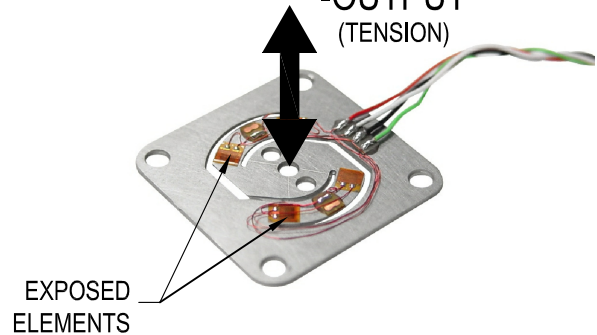


SPECIFICATIONS:

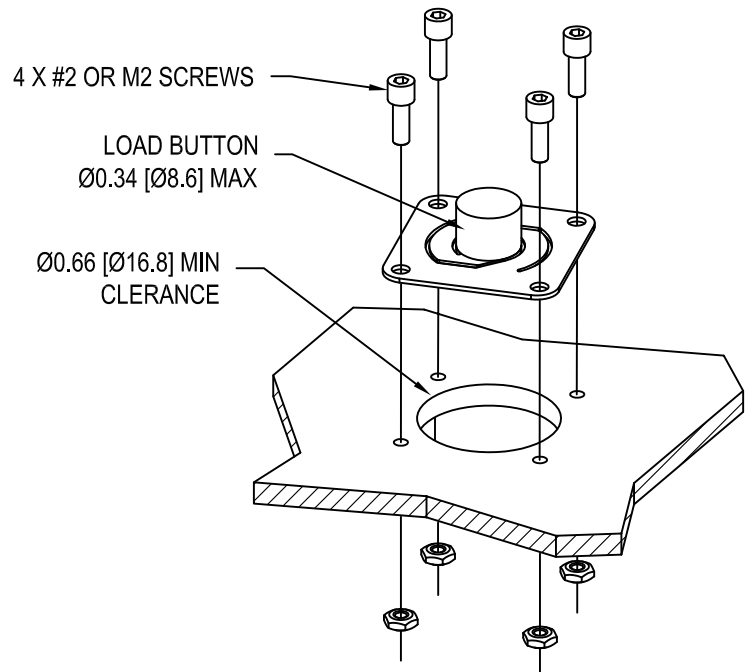
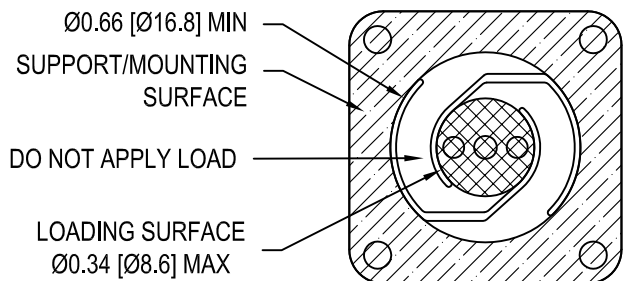
RATED OUTPUT	1.5 mV/V nom.
CAPACITY	1 lb
SAFE OVERLOAD	150% of R.O.
ZERO BALANCE	±5% of R.O.
EXCITATION (VDC OR VAC)	10 MAX
BRIDGE RESISTANCE	350Ω nom
NONLINEARITY	±0.25% of R.O.
HYSTERESIS	±0.25% of R.O.
NONREPEATABILITY	±0.1% of R.O.
TEMP. SHIFT ZERO	±0.02% of R.O./°F (0.036% of R.O./°C)
TEMP. SHIFT SPAN	±0.02% of LOAD/°F (0.036% of LOAD/°C)
COMPENSATED TEMP.	60 to 160°F (15 to 72°C)
OPERATING TEMP.	-60 to 200°F (-51 to 93°C)
MATERIAL	300 Series S.S.
CABLE: #29 AWG, 4 Conductor, Teflon Wire, 6 in [152] Long	
ACCESSORIES AND RELATED INSTRUMENTS AVAILABLE	
CALIBRATION (AVAILABLE)	5 pt. TENSION OR COMPRESSION; 60.4KΩ SHUNT CAL VALUE.
CALIBRATION TEST EXCITATION	5 VDC

+OUTPUT
(COMPRESSION)

-OUTPUT
(TENSION)



MOUNTING GUIDE



FUTEK
ADVANCED SENSOR TECHNOLOGY, INC.

This drawing is submitted solely for the information and exclusive use of the original addressee. It is not to be divulged in whole or in part, by any firm or individual without written permission from FUTEK

Sensocon
Sensorik und Messtechnik

Sensocon GmbH
Hindenburgstr. 24
67433 Neustadt
Germany

Fon: +49-(0) 6321-9684013
Fax: +49-(0) 6321-9684014
<http://www.sensocon.de>